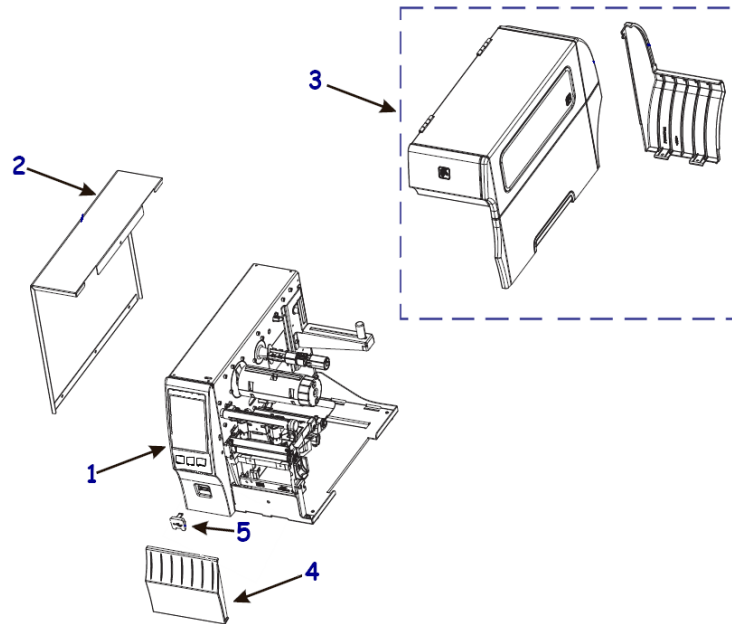
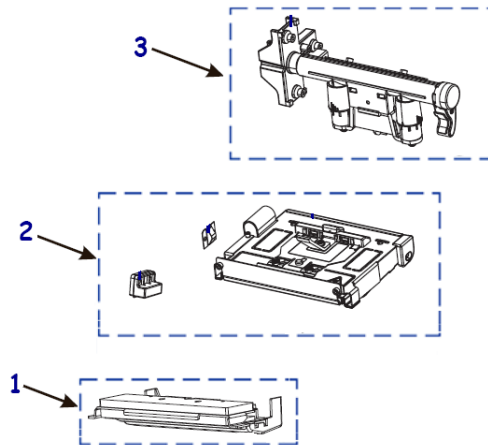


**Outer Casing**



| Item Number | Description   | Part Number  | Quantity |
|-------------|---|--------------|----------|
| 1           | Standard Control Panel ZT411 (Standard control panels include USB ports)              | P1105147-001 | 1        |
| 1           | Standard Control Panel ZT421 (Standard control panels include USB ports)              | P1105147-002 | 1        |
| 1           | Economy Control Panel ZT411 (Economy control panels do not include USB ports)         | P1105147-003 | 1        |
| 1           | Economy Control Panel ZT421 (Economy control panels do not include USB ports)         | P1105147-004 | 1        |
| 1           | China Standard Control Panel ZT411CN (Standard control panels include USB ports)      | P1105147-030 | 1        |
| 1           | China Standard Control Panel ZT421CN (Standard control panels include USB ports)      | P1105147-031 | 1        |
| 1           | China Economy Control Panel ZT411CN (Economy control panels do not include USB ports) | P1105147-032 | 1        |
| 1           | China Economy Control Panel ZT421CN (Economy control panels do not include USB ports) | P1105147-033 | 1        |
|             | Covers for the Control Panel (Qty of 3) ZT411 ZT421                                   | P1105147-029 | 3        |
| 2           | Electronics Cover ZT400 Series  | P1058930-003 | 1        |
| 3           | Media Cover (includes window) ZT411   | P1058930-004 | 1        |
| 3           | Media Cover (includes window) ZT421   | P1058930-005 | 1        |
|             | Window for Media Cover ZT400 Series   | P1058930-008 | 1        |
| 4           | Front Lower Panels ZT411 (includes tear and peel panels)                              | P1058930-006 | 1        |
| 4           | Front Lower Panels ZT421 (includes tear and peel panels)                              | P1058930-007 | 1        |
| 5           | Cover for the USB ports (Qty of 3), ZT411, ZT421                                      | P1058930-404 | 3        |

**Print Mechanism**

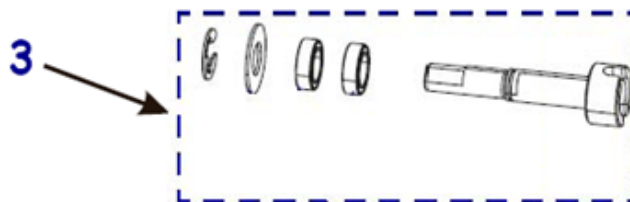
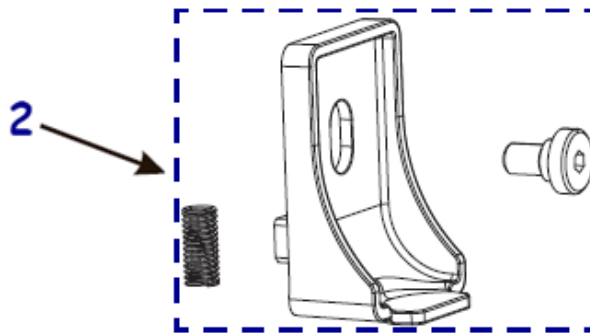
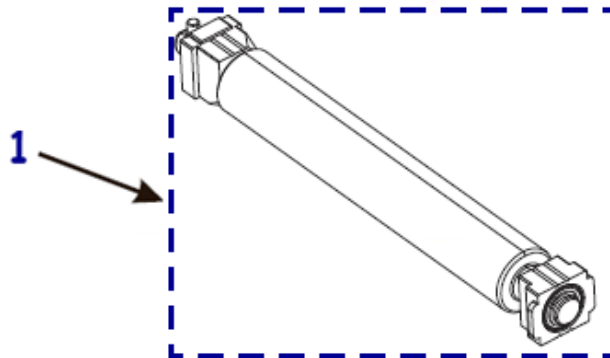


| Item Number | Description  | Part Number  | Quantity |
|-------------|--|--------------|----------|
| 1           | Printhead 203 dpi ZT411 & ZT411 RFID that is NOT printing On-Metal RFID labels   | P1058930-009 | 1        |
| 1           | Printhead 300 dpi ZT411 & ZT411 RFID that is NOT printing On-Metal RFID labels   | P1058930-010 | 1        |
| 1           | Printhead 600 dpi ZT411 & ZT411 RFID that is NOT printing On-Metal RFID labels   | P1058930-011 | 1        |
| 1           | Printhead for On-Metal RFID label printing applications 203 dpi ZT411  | P1105147-300 | 1        |
| 1           | Printhead for On-Metal RFID label printing applications 300 dpi ZT411  | P1105147-301 | 1        |
| 1           | Printhead 203 dpi ZT421 & ZT421 RFID   | P1058930-012 | 1        |
| 1           | Printhead 300 dpi ZT421 & ZT421 RFID   | P1058930-013 | 1        |
| 2           | Thermal Transfer Print Mechanism ZT411 (includes ribbon sensor with cable, printhead cables, ground contact and magnets) | P1105147-005 | 1        |
| 2           | Thermal Transfer Print Mechanism ZT421 (includes ribbon sensor with cable, printhead cables, ground contact and magnets) | P1105147-006 | 1        |
| 3           | Toggle Bar (includes lift strap) ZT411   | P1058930-104 | 1        |
| 3           | Toggle Bar (includes lift strap) ZT421   | P1058930-107 | 1        |
|             | Ribbon Strip Plate and Ribbon Static Brush ZT411   | P1058930-094 | 1        |
|             | Ribbon Strip Plate and Ribbon Static Brush ZT421   | P1058930-095 | 1        |
|             | Magnets for holding the Print Mechanism open   | P1058930-082 | 1        |
|             | Ground Contact ZT400 Series  | P1058930-083 | 1        |

**Printhead dpi conversion kits**

| <b>Item Number</b> | <b>Description</b>       | <b>Part Number</b> | <b>Quantity</b> |
|--------------------|--------------------------|--------------------|-----------------|
|                    | Convert to 300 dpi ZT411 | P1058930-022       | 1               |
|                    | Convert to 203 dpi ZT411 | P1058930-023       | 1               |
|                    | Convert to 600 dpi ZT411 | P1058930-024       | 1               |
|                    | Convert to 300 dpi ZT421 | P1058930-025       | 1               |
|                    | Convert to 203 dpi ZT421 | P1058930-026       | 1               |

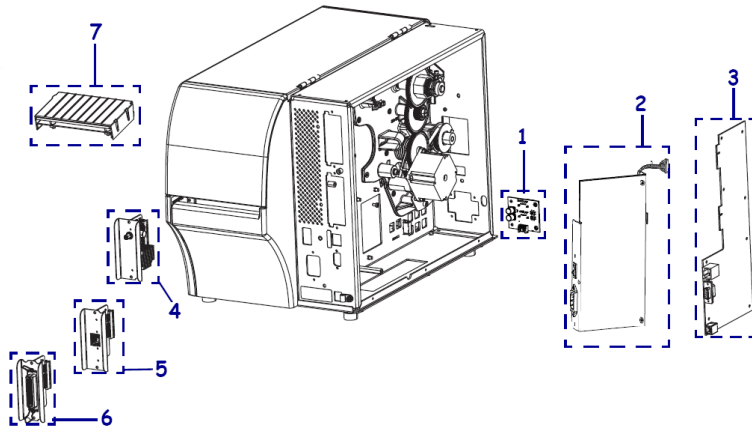
Platen Roller



| Item Number | Description                                      | Part Number  | Quantity |
|-------------|--|--------------|----------|
| 1           | Platen Roller ZT411                              | P1058930-080 | 1        |
| 1           | Platen Roller ZT421                              | P1058930-081 | 1        |
| 2           | Lock/Retainer for the Platen Roller ZT400 Series | P1058930-027 | 1        |
| 3           | Coupler for Platen Roller ZT400 Series           | 79862M       | 1        |

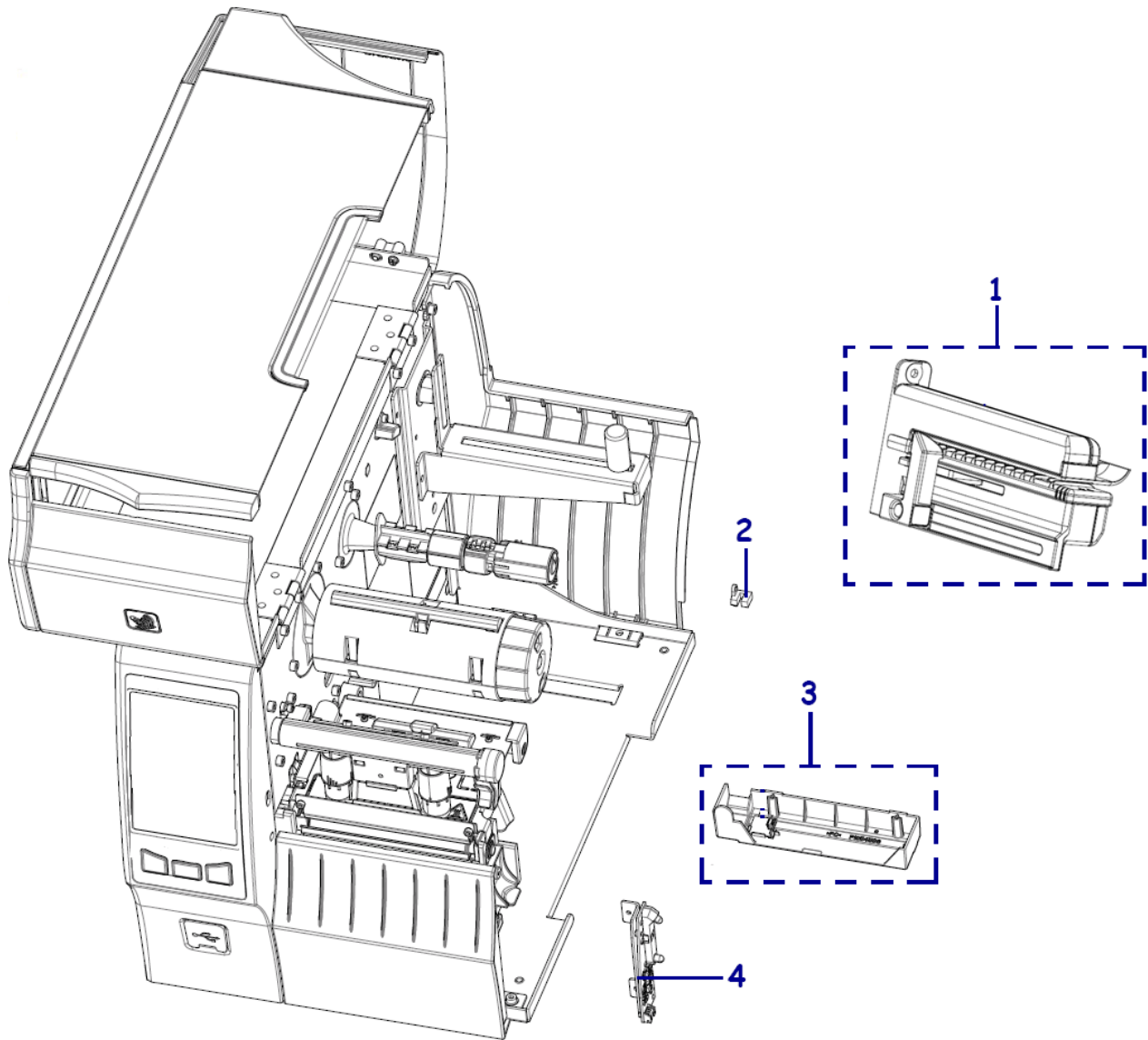
**ZT411 ZT421 Parts Catalog**

**Electronics**



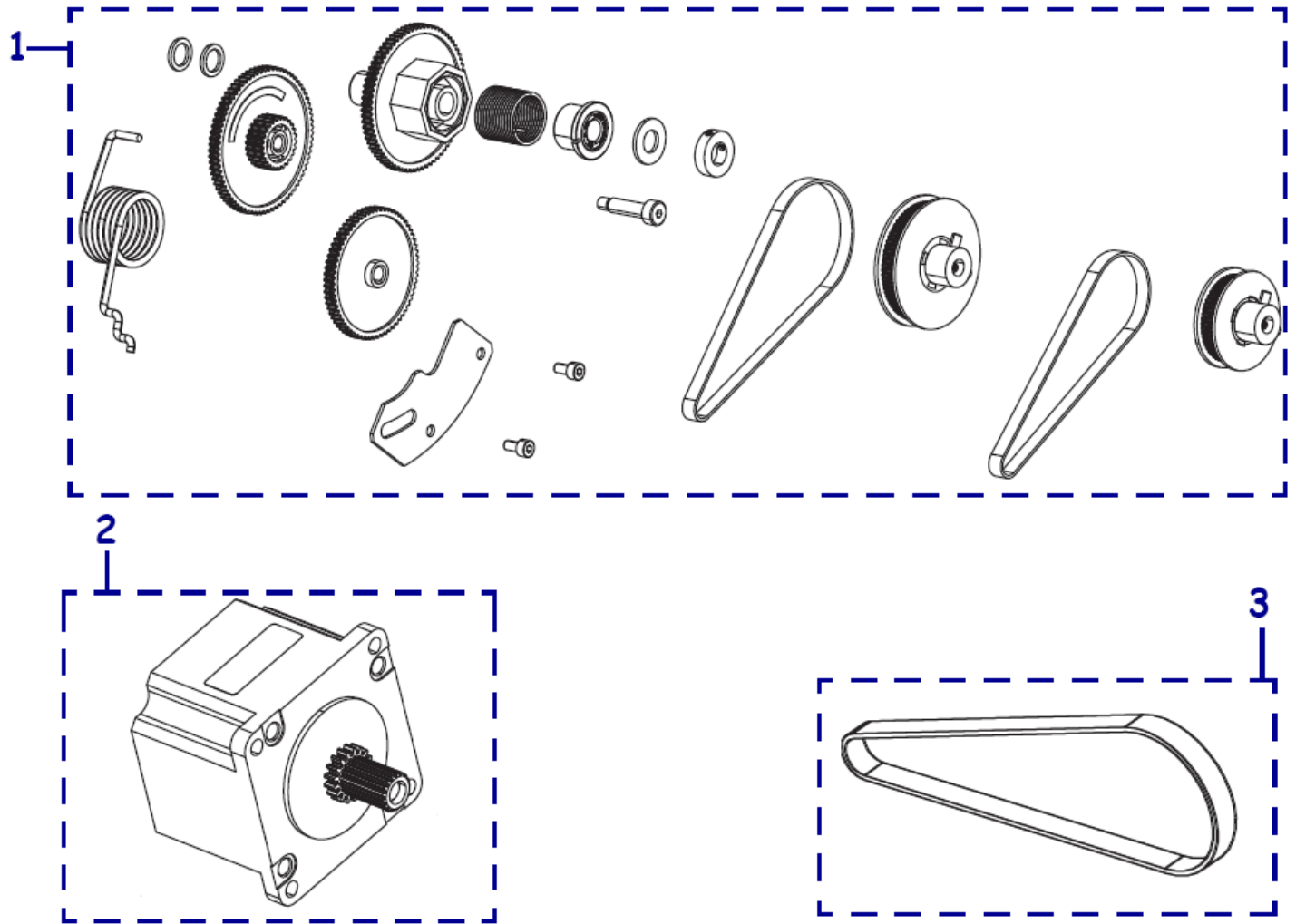
| Item Number | Description   | Part Number   | Quantity |
|-------------|---|---------------|----------|
| 1           | Dual Port USB PCBA ZT411 ZT421  | P1058930-403  | 1        |
| 2           | Power Supply ZT411  | P1105147-012  | 1        |
| 2           | Power Supply ZT421  | P1105147-024  | 1        |
| 3           | Standard Main Logic Board ZT411 ZT421. (Standard printer models have control panels with USB ports)           | P1105147-007  | 1        |
| 3           | Economy Main Logic Board ZT411 ZT421. (Economy printer models have control panels without USB ports)          | P1105147-008  | 1        |
|             | Mounting Bracket for the Main Logic Board ZT411 ZT421   | P1105147-009  | 1        |
| 4           | ZebraNet Internal Wireless 802.11 ac radio, BT4.0, ZT411 ZT421 USA & Canada.                                  | P1083320-037A | 1        |
| 4           | ZebraNet Internal Wireless 802.11 ac radio, BT4.0, ZT411 ZT421 Japan.   | P1083320-037B | 1        |
| 4           | ZebraNet Internal Wireless 802.11 ac radio, BT4.0, ZT411 ZT421 for all countries except USA, Canada or Japan. | P1083320-037C | 1        |
| 5           | Internal Printserver (Ethernet port) ZT400 Series   | P1058930-074  | 1        |
| 6           | Parallel Port ZT400 Series  | P1058930-075  | 1        |
| 7           | RFID Module USA & Canada ZT400 Series   | P1058930-500A | 1        |
| 7           | RFID Module Japan ZT400 Series  | P1058930-500B | 1        |
| 7           | RFID Module Global (All countries except USA, Canada, Japan) ZT400 Series                                     | P1058930-500C | 1        |
|             | Applicator Interface Card   | P1083320-038  | 1        |
|             | Replacement RFID Cables and Hardware ZT400 Series   | P1058930-503  | 1        |
|             | Light Assemblies (Includes 1 Print Mechanism Light & 1 Media Light)   | P1058930-079  | 2        |
|             | Replacement Antenna for 802.11n & ac Radios   | P1037974-053  | 1        |
|             | Electronics Cables ZT411 ZT421  | P1105147-013  | 1        |
|             | USA Power Cord  | 46693         | 1        |
|             | Europe Power Cord   | 46629         | 1        |
|             | UK Power Cord   | 46637         | 1        |
|             | Japan Power Cord  | 37609         | 1        |
|             | China Power Cord  | 47612         | 1        |

Sensors



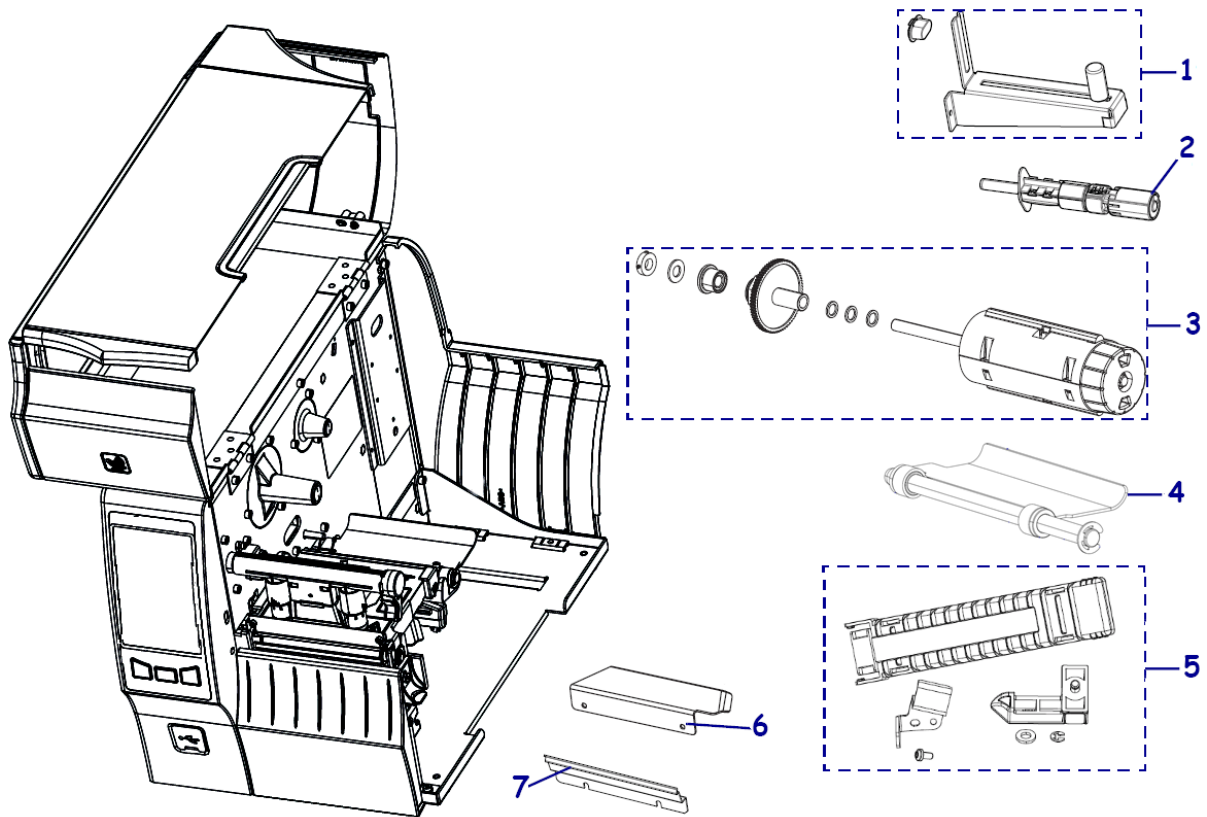
| Item Number | Description                    | Part Number  | Quantity |
|-------------|--------------------------------|--------------|----------|
| 1           | Media Sensor ZT411             | P1105147-014 | 1        |
| 1           | Media Sensor ZT421             | P1105147-015 | 1        |
| 2           | Head Open Sensor ZT411 ZT421   | P1105147-035 | 1        |
| 3           | Ribbon Sensor ZT411            | P1105147-016 | 1        |
| 3           | Ribbon Sensor ZT421            | P1105147-017 | 1        |
| 4           | Take Label Sensor ZT400 Series | P1105147-018 | 1        |

Drive System



| Item Number | Description   | Part Number  | Quantity |
|-------------|---|--------------|----------|
| 1           | Drive System ZT400 Series (includes gears, belts and pulleys for 203 dpi and 300/600 dpi) | P1058930-039 | 1        |
| 2           | Drive Motor ZT400 Series  | P1058930-040 | 1        |
| 3           | Drive Belt 203 dpi ZT400 Series   | 79866M       | 1        |
| 3           | Drive Belt 300 dpi and 600 dpi ZT400 Series   | 79867M       | 1        |

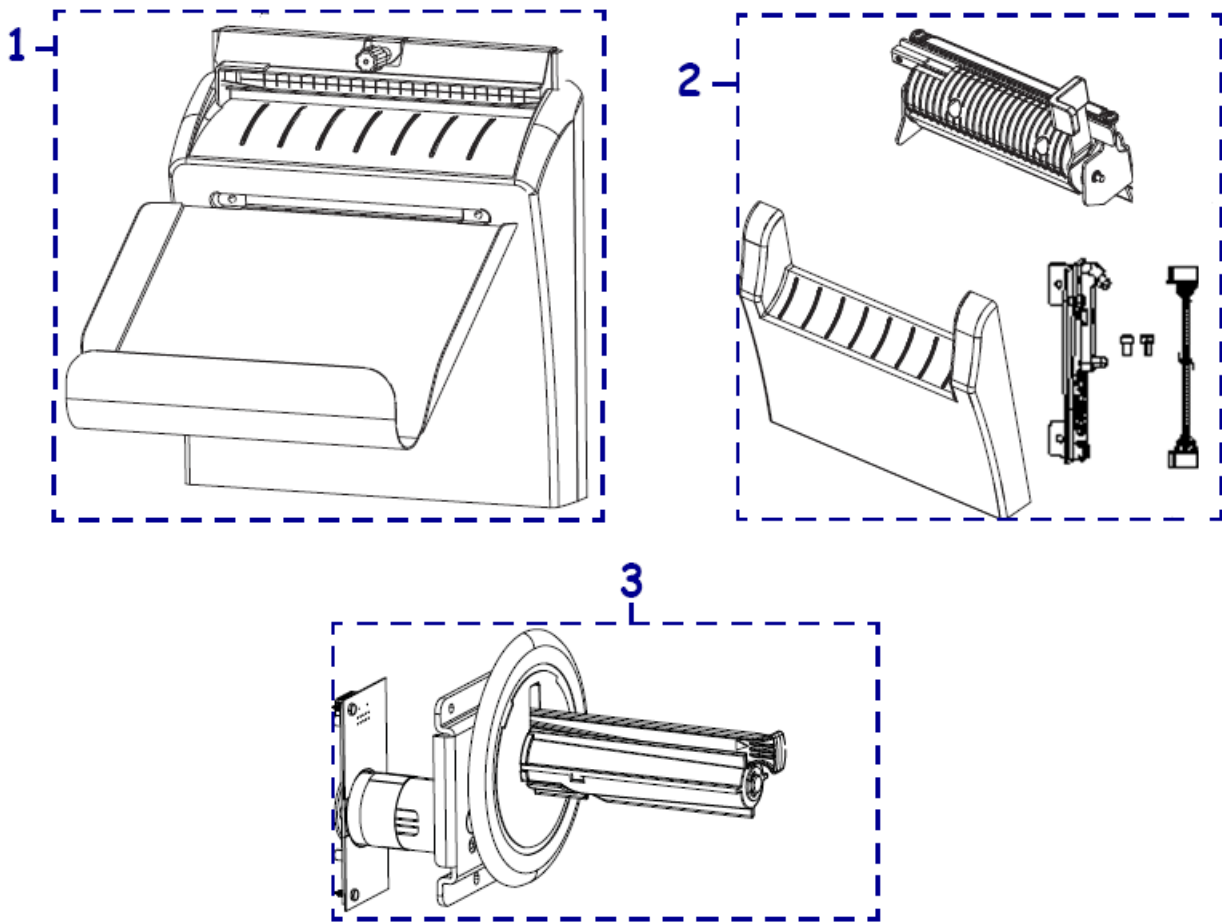
Media Path



| Item Number | Description   | Part Number  | Quantity |
|-------------|---|--------------|----------|
| 1           | Standard Media Hanger for 3" (76mm) diameter media cores ZT411          | P1058930-042 | 1        |
|             | Media Hanger for 1" (25mm) diameter media cores ZT411 only              | P1058930-086 | 1        |
| 1           | Standard Media Hanger ZT421   | P1058930-043 | 1        |
| 2           | Ribbon Supply Spindle ZT411   | P1058930-085 | 1        |
| 2           | Ribbon Supply Spindle: For Ribbons Coated Inside Only ZT411             | 79830M       | 1        |
| 2           | Ribbon Supply Spindle ZT421   | 79829M       | 1        |
| 3           | Ribbon Take Up Spindle ZT411  | P1058930-045 | 1        |
| 3           | Ribbon Take Up Spindle ZT421  | P1058930-046 | 1        |
| 4           | Media Dancer ZT411  | P1105147-025 | 1        |
| 4           | Media Dancer ZT421  | P1105147-026 | 1        |
| 5           | Standard Media Guides and Media Carrier ZT411                           | P1105147-027 | 1        |
| 5           | On-Metal RFID Media Guides and Media Carrier ZT411                      | P1105147-302 | 1        |
| 5           | Media Guides and Media Carrier ZT421                                    | P1105147-028 | 1        |
| 6           | Media Shelf ZT411   | P1058930-047 | 1        |
| 6           | Media Shelf ZT421   | P1058930-048 | 1        |
| 7           | Tear Bar ZT411  | 79837M       | 1        |
| 7           | Tear Bar ZT421  | 79838M       | 1        |
|             | Covers for the Media Light holes on Economy models without Media Lights | P1105147-010 | 4        |

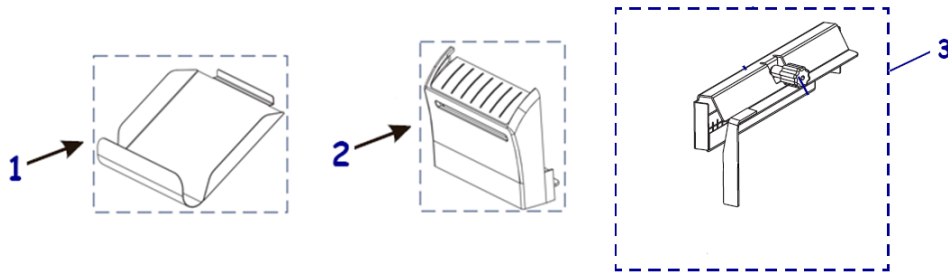


Field Installable Media Handling Options: Cutter - Peel - Liner Take Up



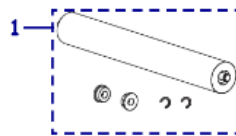
| Item Number | Description   | Part Number  | Quantity |
|-------------|---|--------------|----------|
| 1           | Cutter Option ZT411   | P1058930-189 | 1        |
| 1           | Cutter Option ZT421   | P1058930-190 | 1        |
| 2           | Peel Assembly ZT411   | P1105147-019 | 1        |
| 2           | Peel Assembly ZT421   | P1105147-020 | 1        |
| 3           | Liner Take Up Spindle & Motor ZT411 (To enable liner take up functionality, also purchase the P1105147-019 peel assembly) | P1058930-052 | 1        |

**Replacement Parts for Cutter**

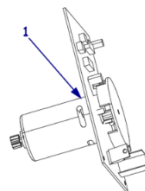


| Item Number | Description  | Part Number  | Quantity |
|-------------|--|--------------|----------|
| 1           | Catch Tray for Cutter ZT411                                | 77041        | 1        |
| 1           | Catch Tray for Cutter ZT421                                | 77997        | 1        |
| 2           | Cover for the Cutter includes PCBA and cutter cable ZT411. | P1058930-102 | 1        |
| 2           | Cover for the Cutter includes PCBA and cutter cable ZT421. | P1058930-103 | 1        |
| 3           | Replacement Static Brush & Cutter Guard ZT411.             | P1066612     | 1        |
| 3           | Replacement Static Brush & Cutter Guard ZT421.             | P1066613     | 1        |

**Replacement Parts for Peel & Liner Take-Up**

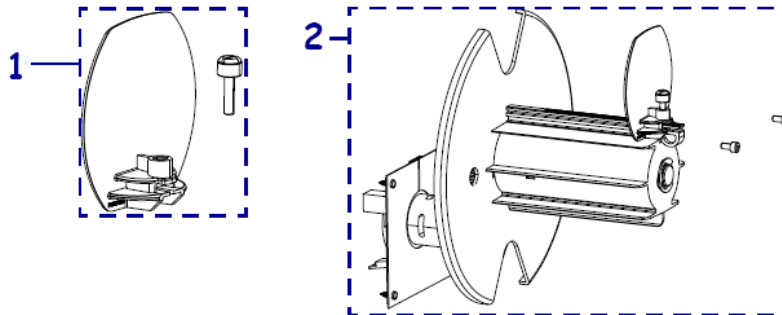


| Item Number | Description                        | Part Number | Quantity |
|-------------|------------------------------------|-------------|----------|
| 1           | Roller for the Peel Assembly ZT411 | 77197M      | 1        |
| 1           | Roller for the Peel Assembly ZT421 | 77727M      | 1        |



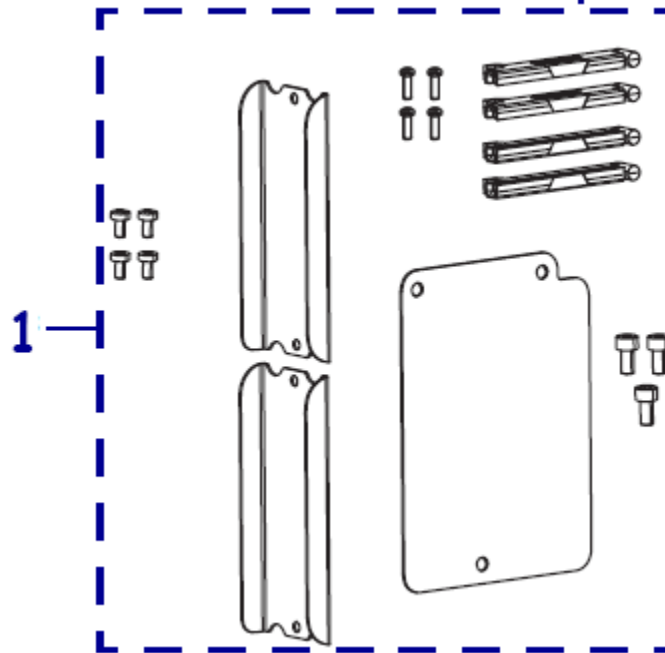
| Item Number | Description                                    | Part Number | Quantity |
|-------------|--|-------------|----------|
| 1           | Motor and PCBA for Liner Take Up Spindle ZT411 | G34112M     | 1        |

**Replacement Parts for Media Rewind**



| Item Number | Description   | Part Number  | Quantity |
|-------------|---|--------------|----------|
| 1           | Media Guard for Media Rewind Spindle ZT400 Series   | P1058930-057 | 1        |
| 2           | Media Rewind Spindle (includes Motor and PCBA) ZT411 (This item is only for replacing an existing media rewind spindle on a printer that shipped from the factory with the media rewind option installed. Media rewind is not a field installable option) | P1058930-058 | 1        |
| 2           | Media Rewind Spindle (includes Motor and PCBA) ZT421 (This item is only for replacing an existing media rewind spindle on a printer that shipped from the factory with the media rewind option installed. Media rewind is not a field installable option) | P1058930-059 | 1        |
|             | Motor and PCBA for Media Rewind Spindle ZT411   | G34110M      | 1        |
|             | Motor and PCBA for Media Rewind Spindle ZT421   | G34111M      | 1        |
|             | Steer Roller for Media Rewind ZT411   | P1058930-055 | 1        |
|             | Steer Roller for Media Rewind ZT421   | P1058930-056 | 1        |
|             | Door and Trim for Media Rewind ZT411  | P1058930-060 | 1        |
|             | Door and Trim for Media Rewind ZT421  | P1058930-061 | 1        |

Covers & Miscellaneous Hardware



| Item Number | Description  | Part Number  | Quantity |
|-------------|--|--------------|----------|
| 1           | Covers/Mounts for Options ZT400 Series   | P1058930-062 | 1        |
|             | Assorted Hardware ZT411 ZT421 (various screws and washers used throughout the printer) | P1105147-023 | 1        |
|             | Feet on bottom of printer (Qty 20) ZT400 Series  | P1058930-078 | 20       |

Packaging Materials for Printer Shipping

| Item Number | Description  | Part Number  | Quantity |
|-------------|--|--------------|----------|
|             | Packaging for ZT411 (Qty 1)                          | P1058930-166 | 1        |
|             | Packaging for ZT411 (Qty 8)                          | P1058930-167 | 8        |
|             | Packaging for Media Rewind Versions of ZT411 (Qty 1) | P1058930-070 | 1        |
|             | Packaging for ZT421 (Qty 1)                          | P1058930-068 | 1        |
|             | Packaging for ZT421 (Qty 8)                          | P1058930-069 | 8        |
|             | Packaging for Media Rewind Versions of ZT421 (Qty 1) | P1058930-071 | 1        |